

ATP Formation

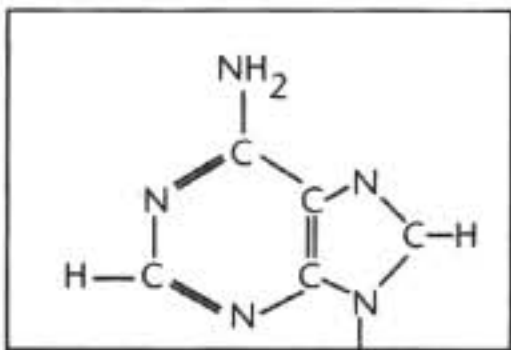
1. Label each part of the ATP molecule above in the spaces provided.

2. What is ATP an abbreviation for?

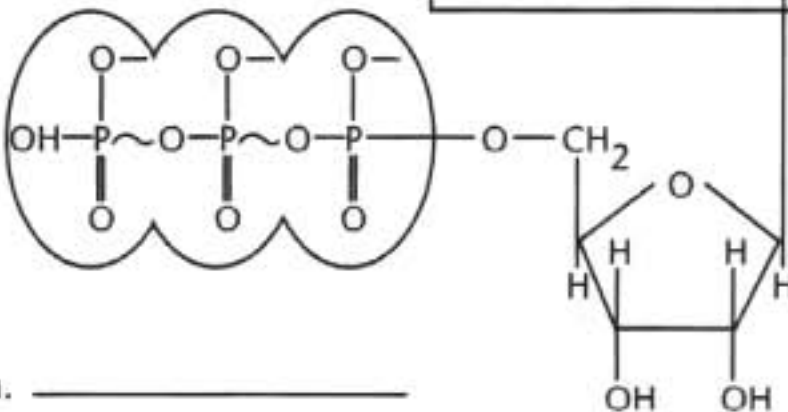
3. What is the sugar in ATP called?

4. How does ATP differ from ADP?

5. Explain how ATP is like a rechargeable battery.



b. _____



a. _____

c. _____

PART B In the space provided, draw and label the ATP Cycle. Include the following: ATP, ADP, phosphate, energy required, energy released.

